



**DR ENTERPRISES**

**Transair: Advanced Pipe Systems  
Compressed Air, Vacuum, Inert Gas**

**Metalwork: Pneumatic Cylinders, Valves,  
Fittings, FRL's.**





# Profile

D.R Enterprises was established in the year 2017 as a sole proprietorship organization, at Haryana, India. We are engaged in the wholesaling and supplying of a wide assortment of Compressed air Piping System and pneumatic products. Our range of products is well accepted and admired in various industries for its superior quality and exceptional features like long functional life, precise operations, optimum performance, high reliability, corrosion resistance and many more. The wide gamut of products offered by us includes, Parker Legris Compressed Air Piping System, Pneumatics fittings ,Pneumatic Cylinders, and Metalwork Pneumatic Products. These products are offered by us in varied sizes and specifications, which has made them as the preferred choice of various industries.

Our well established distribution network covers almost Haryana, Delhi NCR area, which enables us to timely deliver our products to the clients. Backed by state-of-the-art infrastructure facility and strong association with the vendors, we are successful to serve our clients in an efficient manner. To ensure high end quality products are offered to the clients, Our associates only use quality approved materials and advance techniques in their production process to ensure international quality standards.

## Our Team

We are supported by an adroit team of highly competent professionals, which carry out their assigned work with utmost perfection. All our team members are recruited in the organization after a rigorous selection process that is based on their domain expertise and skills. Our well-qualified professionals are well-versed with specific demands of the clients and accordingly offer best products that meet their exact needs. With the help of untiring efforts of our adept workforce, we are successful to serve our esteemed clients in an efficient manner.

## Product Portfolio

We offer a wide spectrum of pneumatic and hydraulic products to our clients with a time-bound delivery assurance and at affordable prices. These products are manufactured with advanced production techniques and quality approved materials at our associates end to ensure world-class quality standards. Our products are highly demanded and admired in the market for its superior quality and dynamic features.

### Our product portfolio includes

- ✓ Compressed Air Piping System
- ✓ Pneumatic Cylinders
- ✓ FRL'S Unit
- ✓ PU Pipes
- ✓ Ball valves
- ✓ Pneumatic Fittings
- ✓ Electric Actuator
- ✓ Solenoid valves
- ✓ Hydraulic Hose Pipes
- ✓ Distributors Valves.

### Following are some dynamic features of our products

- ✓ Long functional life
- ✓ Precise operations
- ✓ Optimum performance



# Factsheet

## Basic Information

Nature of Business	Authorized Wholesale Dealer
Additional Business	Wholesaler, Distributor, Retailer Service Provider, Trader
Company CEO	Nirmala
Registered Address	G.T Road Gannaur Sonipat.(Haryana)
Total Number of Employees	Upto 10 People
Year of Establishment	2017
Legal Status of Firm	Sole Proprietorship (Individual)
Annual Turnover	Rs. 1 - 2 Crore

## Infrastructure

Location Type	INDUSTRIAL
---------------	------------

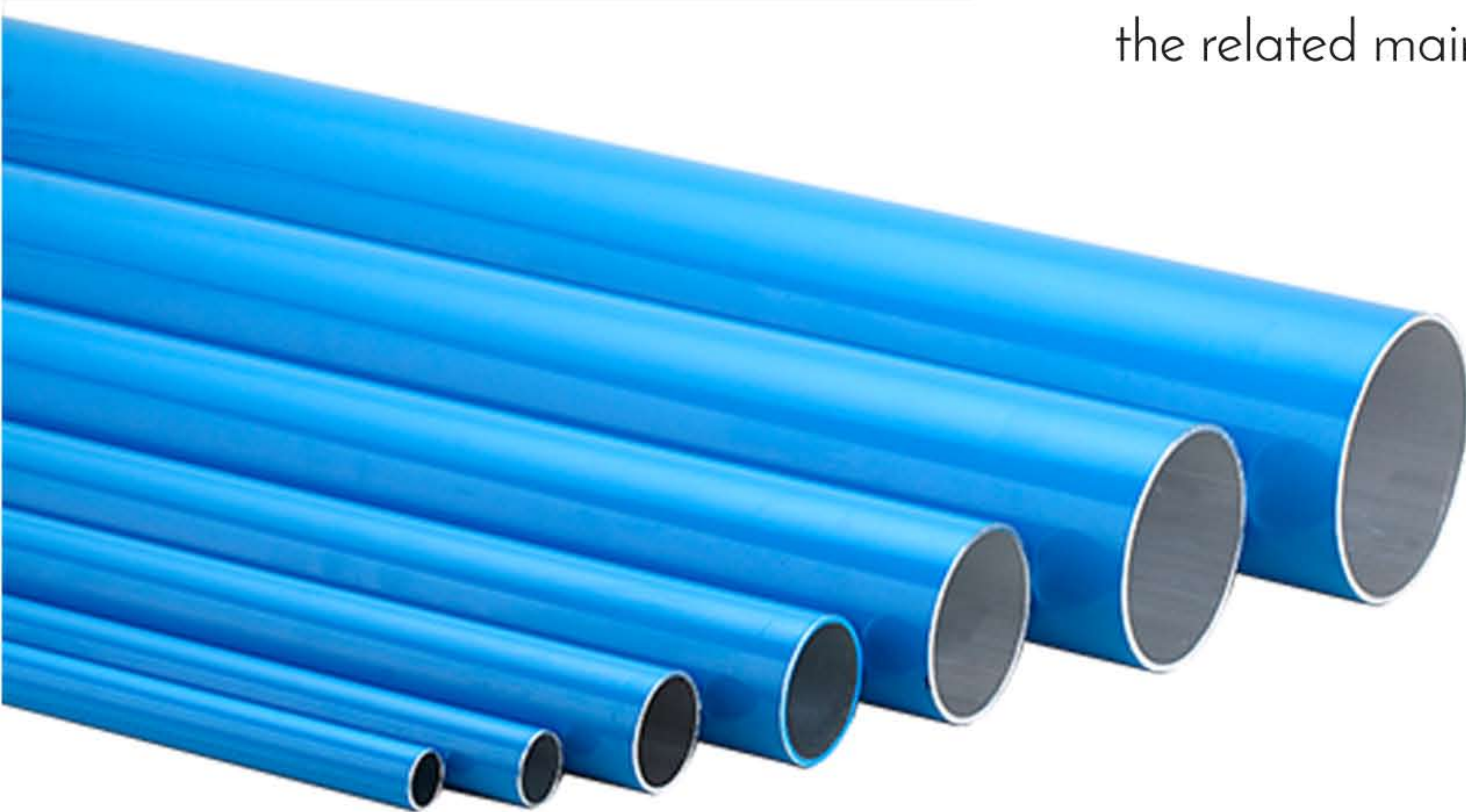
## Statutory Profile

Banker	Bank of Baroda
GST No	06BMFPN8107D1Z9

## Statutory Profile

Customized Packaging	Yes
Payment Mode	Cash, Cheque, Credit Card, DD
Shipment Mode	By Road





# Transair®

## The Best System for Industrial Fluids

### A Technology with Multiple Assets

Transair® is the ideal solution for all compressed air, inert gas, vacuum and industrial fluid networks, by combining adaptability, quick installation, high performance and durability, while improving the profitability and reducing the related maintenance and operating costs of your networks.

#### Quick

- No need to weld, glue or crimp.
- Lightweight for easy handling
- Ready-to-use.

#### Longevity

- Corrosion-free construction.
- Quality of the internal surface for a sustained cleanliness of the fluid.
- 10 year guarantee

#### Adaptable

- Various drop solution thanks to brackets: with swan neck or direct with push-in technology or threaded.
- Technologies offering the best compromise between safety, efficiency and adaptability.

#### Cost Effective

- Optimised installation, labour and operation costs.
- Sustainability of equipment and filtration devices

#### High Performance

- Low roughness coefficient of stainless steel and aluminium pipe and full bore design.
- Optimisation of flow and pressure losses with innovative technology



# Transair® is Suitable for Most Business Sectors

Recognised for its performance, Transair® is installed, from the technical room to the points of use, in most industrial sectors, such as:



It is observed that lot of compressed air leakag & Substantial pressure drop in compressed air network in industries which in turn a loss of money to end user.

It is also a fact that air leakage through **1mm** hole at **6 Bar** costs @ **INR 30000/-** (approx.) annually. One more fact is that to build 1 Bar pressure **consumes 8-10%** of total compressor power in use.

By keeping in mind above said **2 points**, we can save **INR 80000/-** (approx.) annually, if we arrest **1mm** hole & reduce our pressure drop by **1 bar**.

## Connection Technology

Transair's innovative technology enables rapid and easy assembly with quick connection of components to the aluminum pipe. This technology takes into account the specific requirements of each diameter and provides the user with an optimum safety coefficient and easy connection.

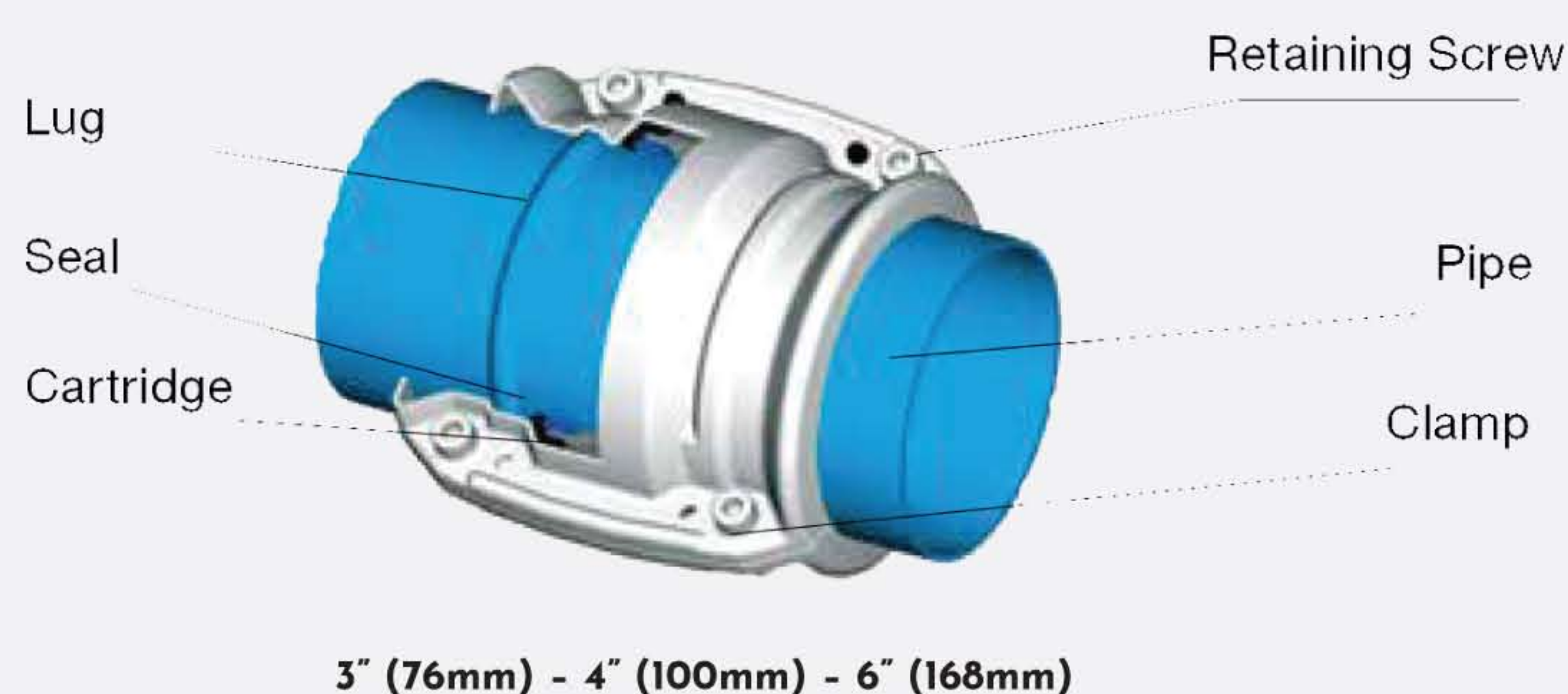
### Instant connection by means of a gripping ring



### Snap ring quick-fit connection



### Clamp quick-fit connection





# 304 STAINLESS STEEL MODULAR PIPING SYSTEMS FOR COMPRESSED AIR

## Stainless Steel Pipes Profile

Ten years of extensive Research & Development in the field of plumbing pipes in order to solve the problem of leakage, ensure seepage free walls, compressed air, hygienic water flow and to control increasing pollution hazards in various industries like chemical, pharmaceutical and food & beverage environment.

## Properties Stainless Steel Pipes

- Properties of Stainless Steel Pipes
- Most hygienic material for water plumbing and compressed air.
- World wide uses in domestic, industrial, food processing units, hospital and housing complexes.
- Higher in strength as compare to PPR (10 times) Copper (5 times) and iron galvanized (3 times).
- Can bear maximum temperature (100 °C).
- Maximum water flow due to smooth surface and maximum pressure due to strength.
- Maximum life.
- Food grade approved.
- Easiest way of plumbing.
- Cost effective.

S.S 304 Grade Standard	Pipe	Fittings
Grade	AISI- 304	AISI- 304
Standard	JIS-3448	JWWAG-116





# ACTUATORS

## ISO6432 SERIES

- STD Ø 8 + 25
- TP Ø 16 + 25



## ISO15552 SERIES

- STD Ø 32 + 320
- A TYPE Ø 32 + 125
- SERIES 3 Ø 32 + 125
- SERIES HCR( High Corrosion Resistance )



## COMPACT SERIES

- ISO 21287 - LINER Ø 20 + 100
- CMPC Ø 12 + 100



## RODLESS SERIES

- STD Ø 16 + 63
- BALL RECIRCULATING GUIDE Ø 16 + 63
- "V" GUIDE Ø 25 + 63
- PU Ø 25 + 50
- MAGNETIC SUDE Ø 16 + 25



## STAINLESS STEEL SERIES

- ISO 6432 Ø 16 + 25
- ISO 15552 Ø 32 + 125
- ROUND Ø 32 + 63



## OTHER CYLINDERS

- ROUND RNDC SERIES
- CARTRIDGE CRIC SERIES
- STPPER
- SHORT STROKE SSCY SERIES
- COMPACT GUIDED CMPG SERIES



## ACCESSORIES

- LOCKING ROD
- POSITION SENSORS
- GUIDE UNITS
- DECLERATORS
- FIXINGS
- SENSORS



## HYDRAULIC BRAKE

- BRK SERIES Ø 40 + 63
- INTEGRATED Ø 50 - 63 - 80



## Elektro

- ISO 15552 SERIES Ø 32 + 100
- ROUND DC SERIES Ø 32
- SHAK SERIES
- SVAK SERIES
- RODLESS SK SERIES
- RODLESS BK SERIES



## VLOCK - HANDLING

- FIXING ELEMENTS
- V-LOCK ADAPTORS
- LINEAR ACTUATORS
- ROTARY ACTUATORS
- GRIPPERS
- SLIDES





# DISTRIBUTORS

## MINIVALVES VME SERIES Ø 8 ÷ 25

- MECHANICAL
- HAND OPERATED



## SERIES 70 VALVES

- HAND OPERATED 1/8" + 1/2"
- MECHANICALLY OPERATED 1/8"
- PNEUMATIC 1/8" ÷ 1/2"
- SOLENOID / PNEUMATIC 1/8" + 1/2"
- ON BASE



## NAMUR

- PNEUMATIC
- SOLENOID / PNEUMATIC



## SOLENOID VALVES 10mm

- PLT-10 SERIES
- PLT-10 SERIES FOR MULTIPLE CONNECTION



## SOLENOID VALVES 15mm

- PIV.M 15 MM SERIES
- PIV.I, T, B SERIES ON BASE
- PIV.I, B SERIES IN LINE
- CNOMO PILOT



## MINIMACH

- SOLENOID / PNEUMATIC M5



## MACH VALVES

- MACH 11 M7
- MACH 16 1/8"
- MACH 16 ON BASE
- MACH 18 - VDMA 24563-0 ISO 15407/1



## ISO 5599/1 VALVES - 1 ISO1, 2, 3

- IPV SERIES PNEUMATIC
- ISV SERIES SOLENOID / PNEUMATIC



## SAFE AIR®

- SERIES 70 1/8" - 1/4" - 3/8"
- ISO 5599/1
- TWO-HANDS SAFETY



## ACCESSORIES

- BASES
- COILS
- ATEX COILS



## OTHER VALVES

- PEDAL OPERATED PEV SERIES



## VALVES ISLAND

- HDM MULTIPOLE CONNECTION
- AS-Interface
- PROFIBUS-DP
- EtherNet/IP
- CANopen
- B&R



## VALVES ISLAND

- CM MULTIPOLE CONNECTION
- PROFINET IO
- ETHERCAT
- ETHERNET / IP
- CANopen
- ADD-ON MODULE



## VALVES ISLAND

- MULTIPOLE CONNECTION 25 or 44 PIN
- EtherNet / IP
- EtherCat
- Profinet IO
- CANopen
- Profibus-DP
- Ethernet POWERLINK
- IO-Link
- SIGNAL MODULES





# UNITS

## SYNTESI

- SIZE 1 1/8" - 1/4" - 3/8" max P 13 bar
- SIZE 2 3/8" - 1/2" - 3/4" - 1" max P 13 bar



## BIT

- THREADED PORT 1" - 1/4" max P 13 bar



## SKILLAIR

- SIZE 100 1/4" - 3/8" max P 15 bar
- SIZE 200 1/4" - 3/8" - 1/2" max P 13 bar
- SIZE 300 1/2" - 3/4" - 1" max P 13 bar
- SIZE 400 1" - 1 1/4" - 1 1/2" - 2" max P 13 bar



## NEW DEAL

- THREADED PORT 1/4" ÷ 1" max P 18 bar



## ONE

- THREADED PORT 1/4" ÷ 1" max P 18 bar



## PRESSURE SWITCHES

- MANUAL
- DIGITAL



## PROPORTIONAL PRECISION REGULATORS

- GS SERIES - HIGH EXHAUST 1/8" ÷ 1/4"
- REGTRONIC M5 ÷ 1/8" ÷ 1/4"
- REGTRONIC New deal 3/4" ÷ 1/2"
- REGTRONIC 300 1/2" ÷ 1"
- REGTRONIC 400 1" ÷ 2"

ALL REGTRONIC MODELS ARE AVAILABLE IN TWO VERSIONS:

- REMOTE-CONTROL
- DISPLAY



# FITTINGS

## AUTOMATIC FITTINGS

- IN BRASS
- IN TECHNOPOLYMER
- IN AISI 31 6L STAINLESS STEEL



## AUTOMATIC FITTINGS

- F-E / F-NSF SERIES
- FOR USE IN THE FOOD INDUSTRY



## FITTINGS

- STANDARD A SERIES
- CPRESSION B SERIES
- QUICK C SERIES
- BANJO D SERIES
- STAINLESS STEEL (AISI 31 6L)







## FOR FURTHER QUERIES, PLEASE CONTACT

MR. ROHIT KUMAR 9996982598, 9040209090

DHARMVIR 7876279936

ADDRESS: 825/2, GARHI JHAJJARA ROAD,  
GANOUR(SONIPAT) - 131101

EMAIL ID: DRENERPRISES111@GMAIL.COM  
INFO@DRENERPRISEINDIA.COM